

4

3

2

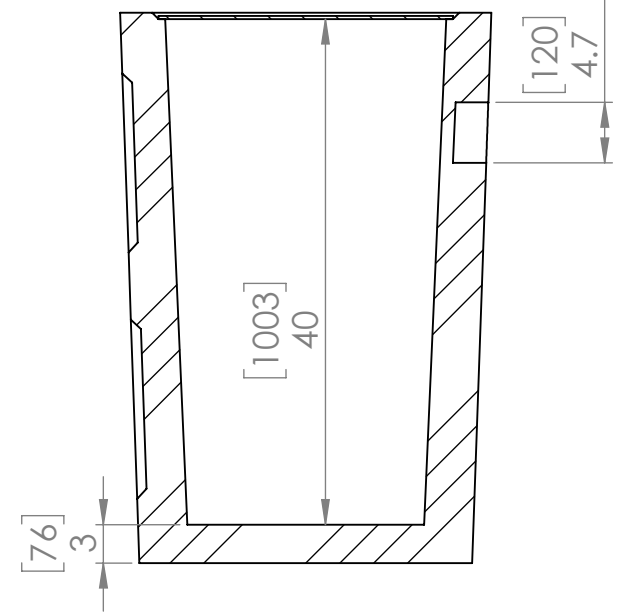
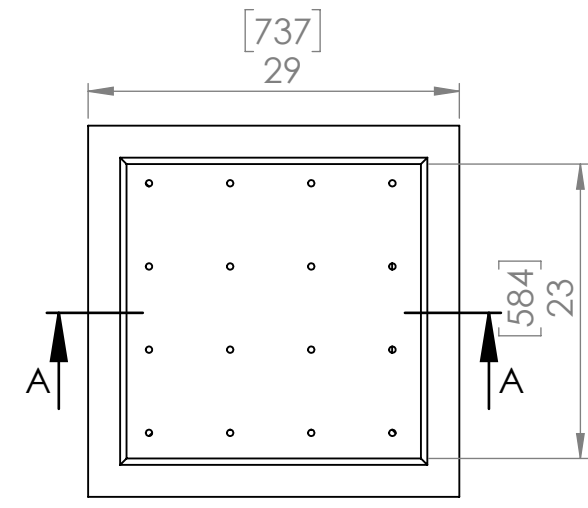
1

B

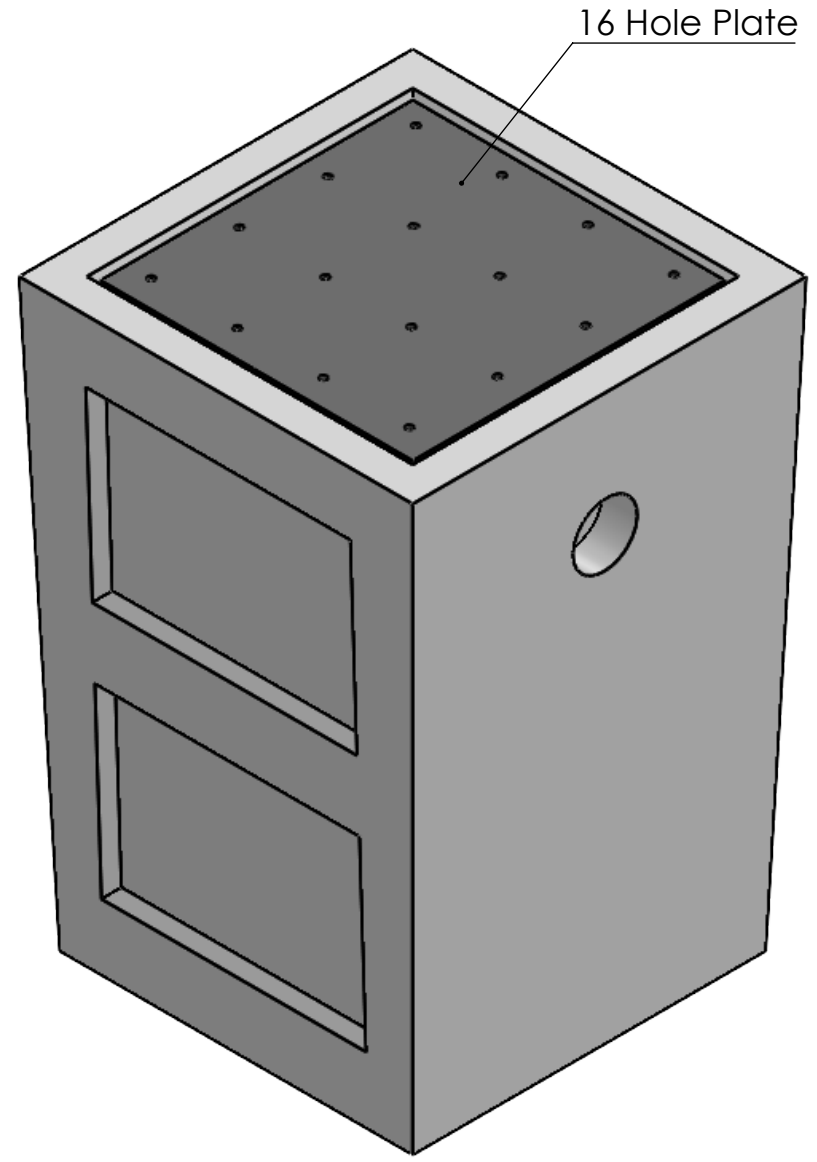
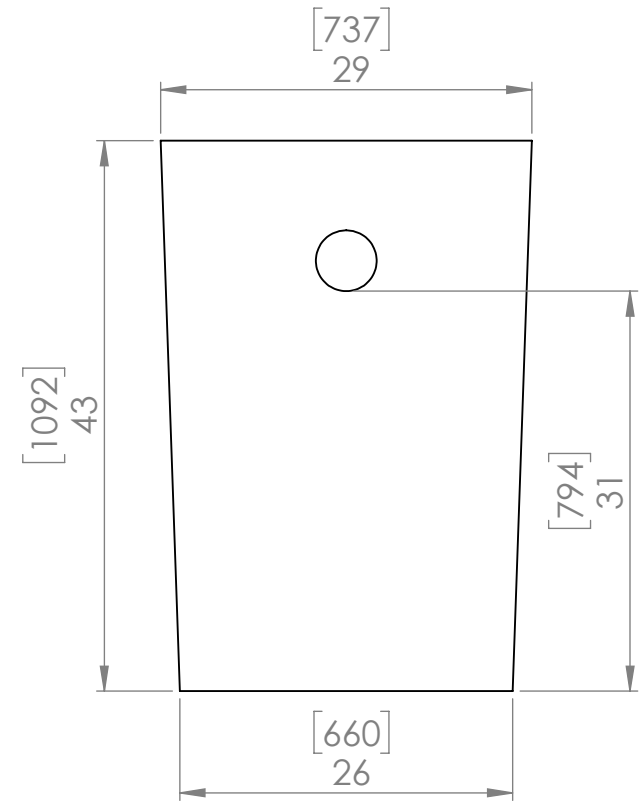
B

A

A



SECTION A-A
SCALE 1 : 15



Edmonton
16910 129 Ave
PH: 780-447-2222
Fax: 780-447-1984

Calgary
4315 58 Ave SE
PH: 403-230-1666
Fax: 403-276-4176

SINGLE GARAGE SUMP (COMES WITH COVER)

Material: Concrete Type HS
Reinforcing: 15mm Rebar & 4x4 (10 Gauge) Wire Mesh
Item ID: 12016

Capacity: 70 Imperial Gallons
Weight: 1100 LBS / 499 KG
Handles up to 5000 LBS
Come with 1/4 " Thick Cover (2 or 16 Hole)

THE INFORMATION CONTAINED IN THIS DRAWING IS THE SOLE PROPERTY OF ALBERTA WILBERT SALES LTD. ANY REPRODUCTION IN PART OR AS A WHOLE WITHOUT THE WRITTEN PERMISSION OF ALBERTA WILBERT SALES LTD IS PROHIBITED.

SCALE: 1:20

4

3

2

1