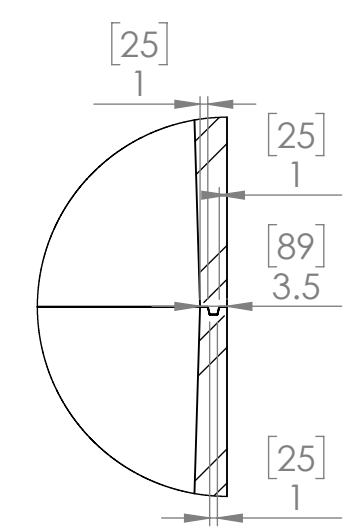
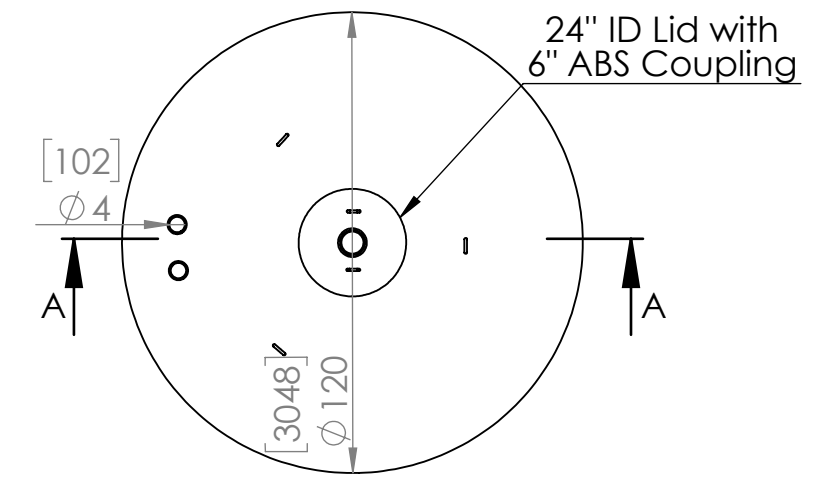
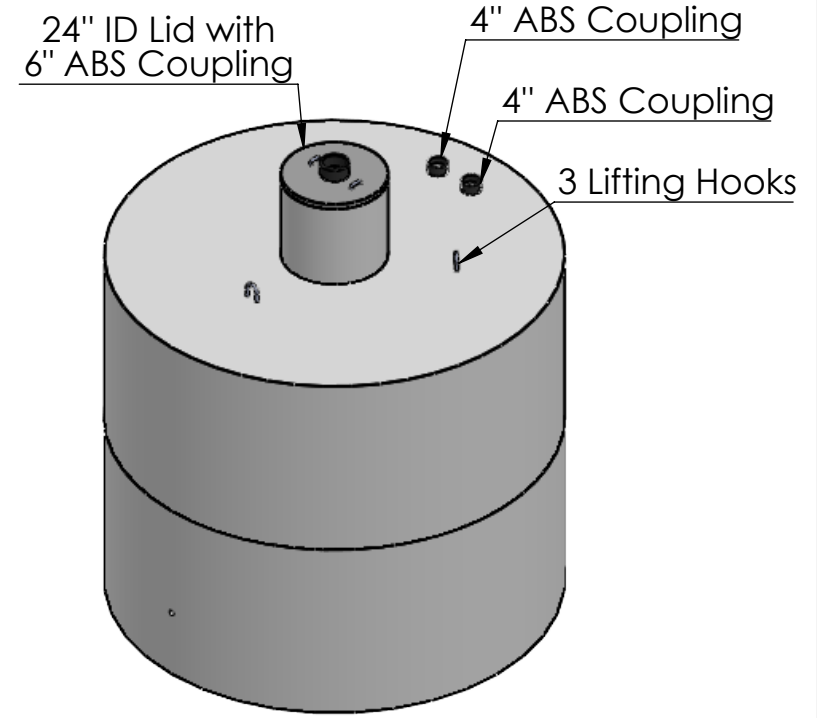
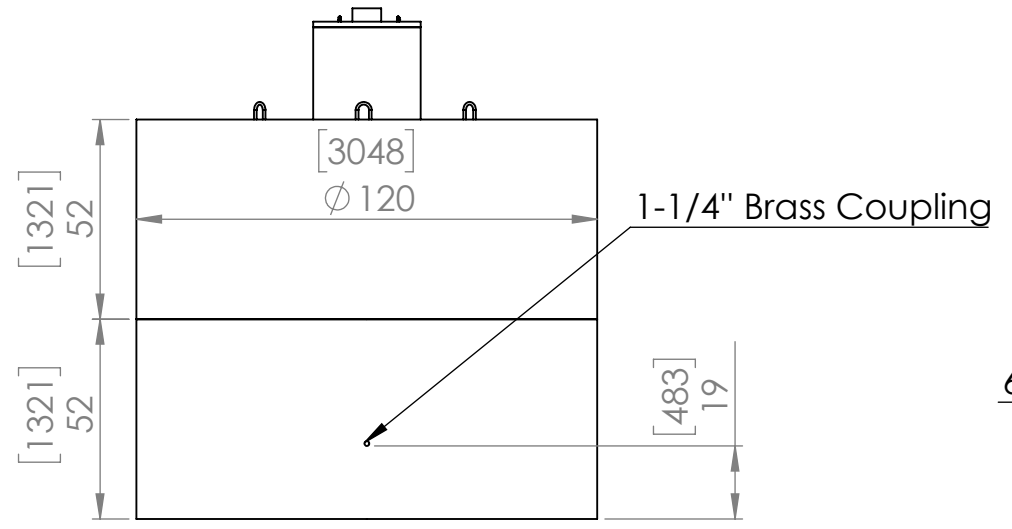
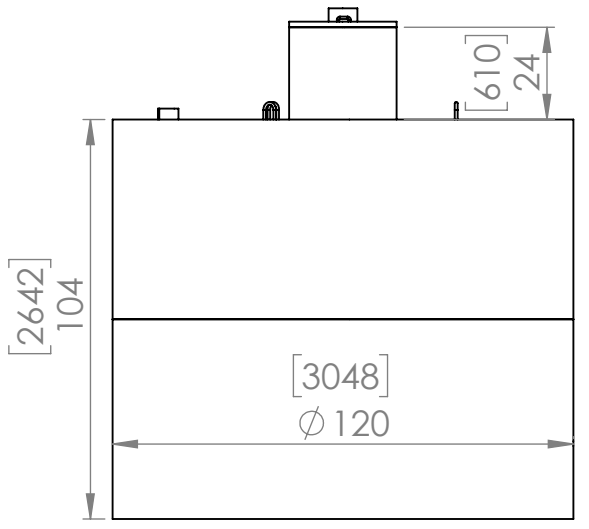


4 3 2 1

B

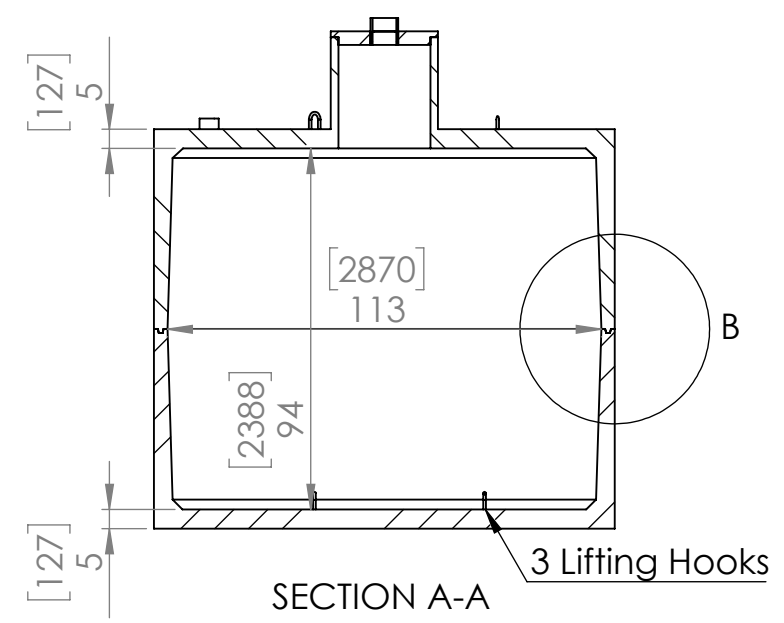
B



DETAIL B  
SCALE 1 : 25

A

A



Edmonton  
16910 129 Ave  
PH: 780-447-2222  
Fax: 780-447-1984

Calgary  
4315 58 Ave SE  
PH: 403-230-1666  
Fax: 403-276-4176

**3300 GALLON 10FT DIAMETER HOLDING TANK**

Material: Concrete Type HS  
Reinforcing: 15mm Rebar & 4x4 (10 Gauge) Wire Mesh  
CSA Approved: 3 Meters  
Model: 10-3300  
Item ID: 11059H

Tank Capacity: 3300 Gal/ 14982 Liter  
Volume: 35.1 Gal/Inch  
Weight: 23100 LBS

THE INFORMATION CONTAINED IN THIS DRAWING IS THE SOLE PROPERTY OF ALBERTA WILBERT SALES LTD. ANY REPRODUCTION IN PART OR AS A WHOLE WITHOUT THE WRITTEN PERMISSION OF ALBERTA WILBERT SALES LTD IS PROHIBITED.

SCALE: 1:50

4 3 2 1