

4

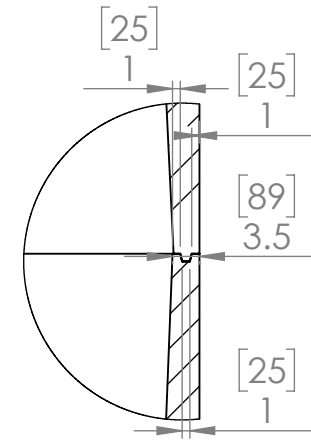
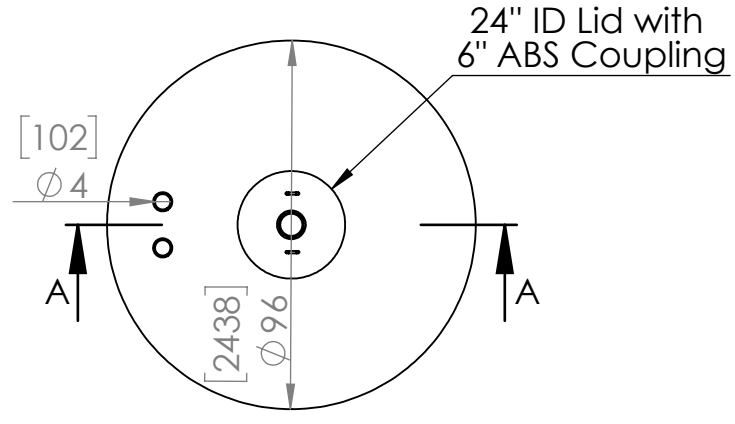
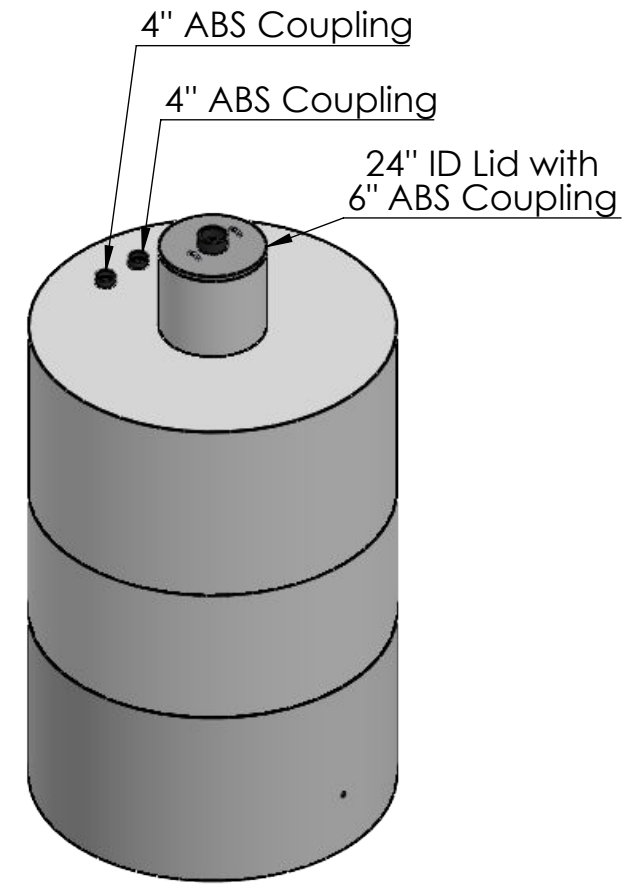
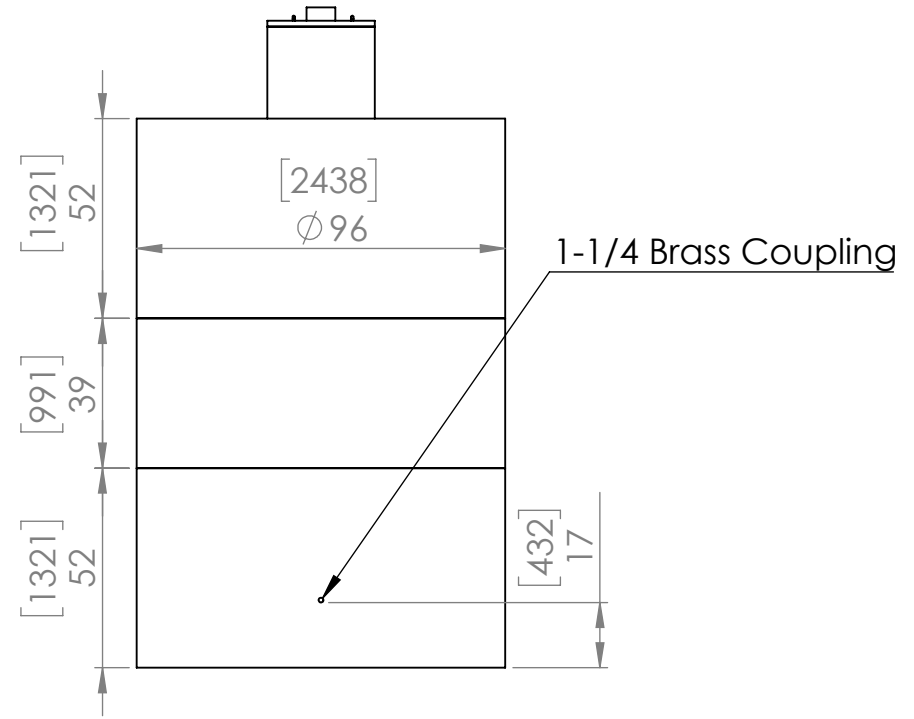
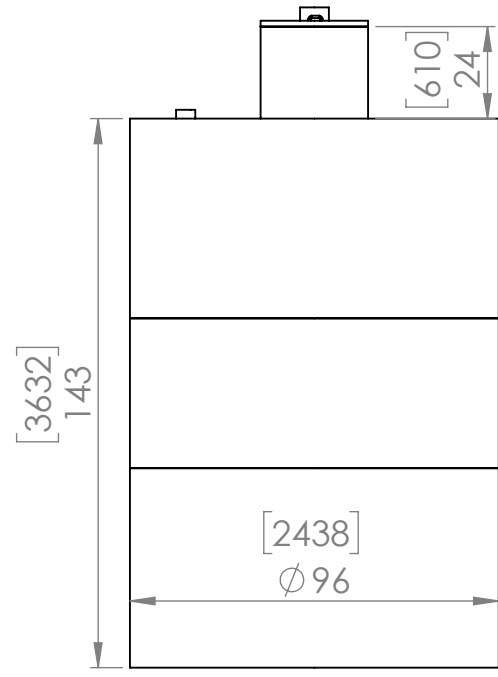
3

2

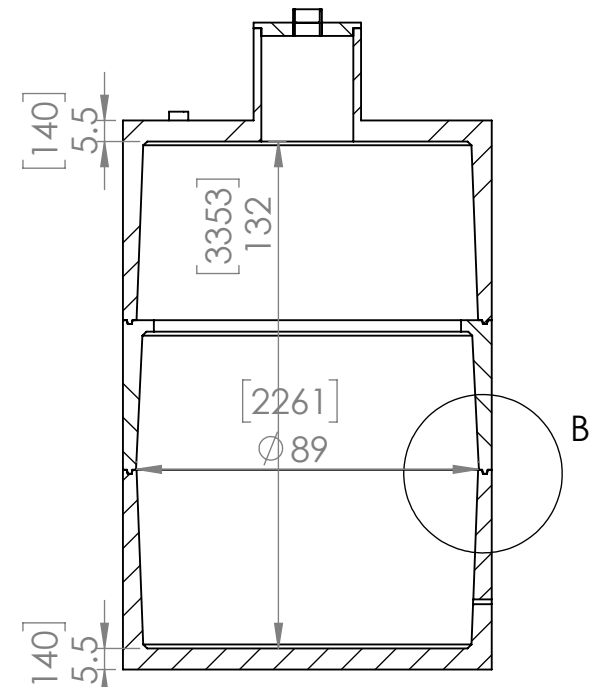
1

B

B



DETAIL B
SCALE 1 : 25



SECTION A-A



Edmonton
16910 129 Ave
PH: 780-447-2222
Fax: 780-447-1984

Calgary
4315 58 Ave SE
PH: 403-230-1666
Fax: 403-276-4176

2900 GALLON 8FT DIAMETER HOLDING TANK

Material: Concrete Type HS
Reinforcing: 15mm Rebar & 4x4 (10 Gauge) Wire Mesh
CSA Approved: 3 Meters
Model: 8-2900
Item ID: 11056H

Tank Capacity: 2900 Gal
Volume: 22.5 Gal/Inch
Weight: 20100 LBS / 9117 KG

THE INFORMATION CONTAINED IN THIS DRAWING IS THE SOLE PROPERTY OF ALBERTA WILBERT SALES LTD. ANY REPRODUCTION IN PART OR AS A WHOLE WITHOUT THE WRITTEN PERMISSION OF ALBERTA WILBERT SALES LTD IS PROHIBITED.

SCALE: 1:50

4

3

2

1

A

A