

4

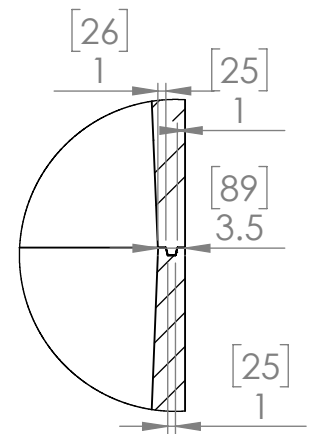
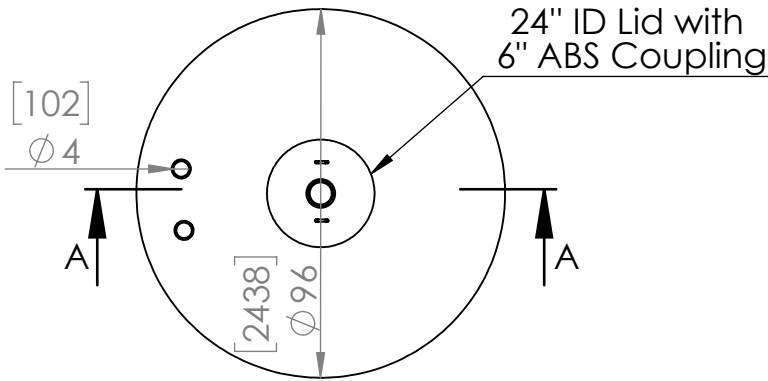
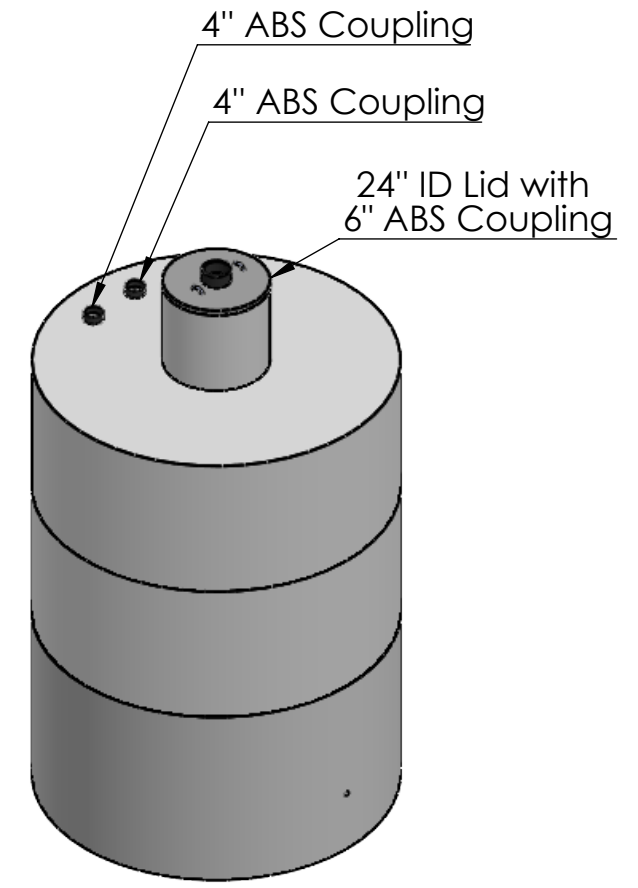
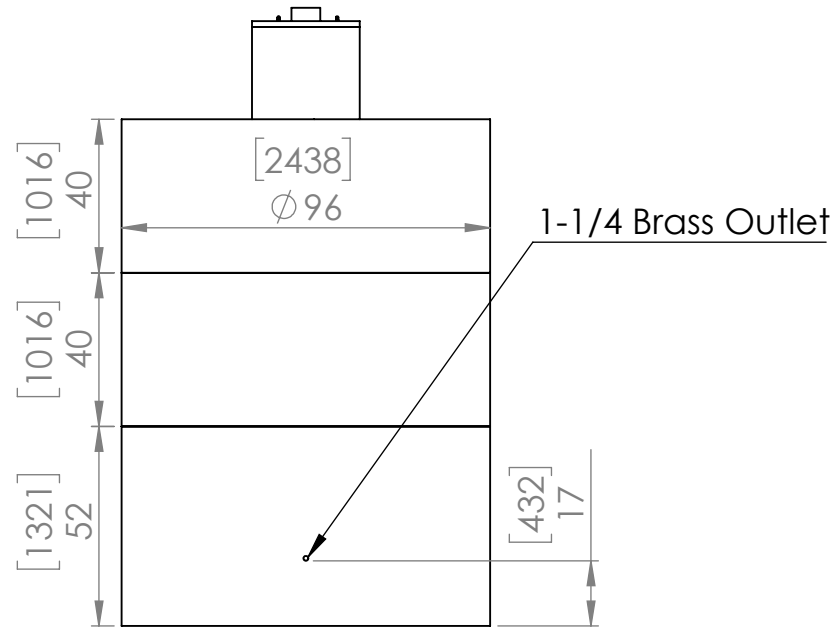
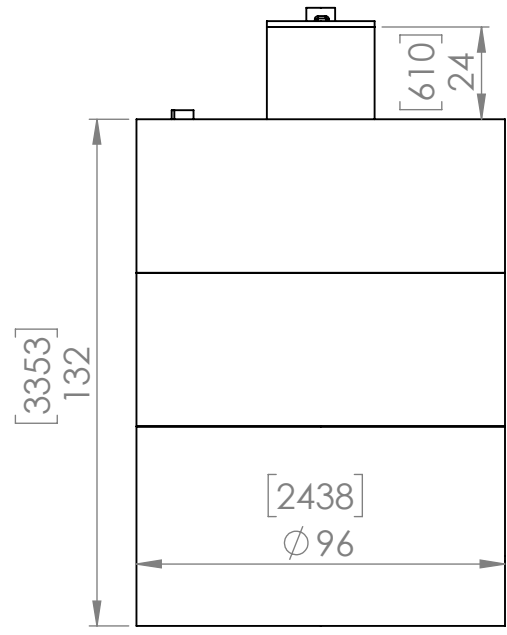
3

2

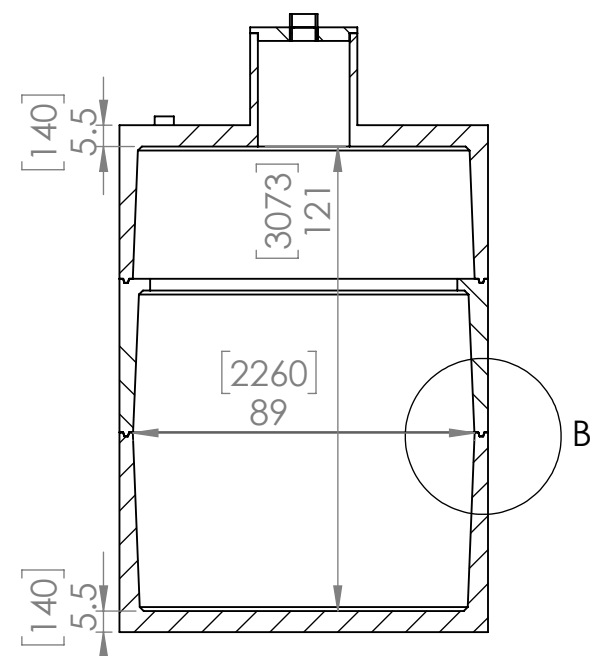
1

B

B



DETAIL B  
SCALE 1 : 25



SECTION A-A

A

A



Edmonton  
16910 129 Ave  
PH: 780-447-2222  
Fax: 780-447-1984

Calgary  
4315 58 Ave SE  
PH: 403-230-1666  
Fax: 403-276-4176

### 2600 GALLON 8FT DIAMETER HOLDING TANK

Material: Concrete Type HS  
Reinforcing: 15mm Rebar & 4x4 (10 Gauge) Wire Mesh  
CSA Approved: 3 Meters  
Model: 8-2600  
Item ID: 11054H

Tank Capacity: 2600 Gal  
Volume: 22.2 Gal/Inch  
Weight: 18900 LBS / 8573 KG

THE INFORMATION CONTAINED IN THIS DRAWING IS THE SOLE PROPERTY OF ALBERTA WILBERT SALES LTD. ANY REPRODUCTION IN PART OR AS A WHOLE WITHOUT THE WRITTEN PERMISSION OF ALBERTA WILBERT SALES LTD IS PROHIBITED.

SCALE: 1:50

4

3

2

1