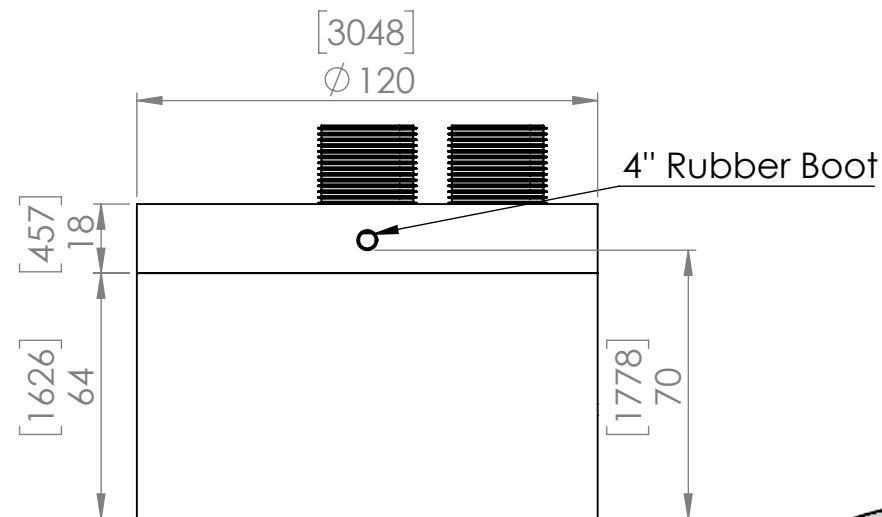
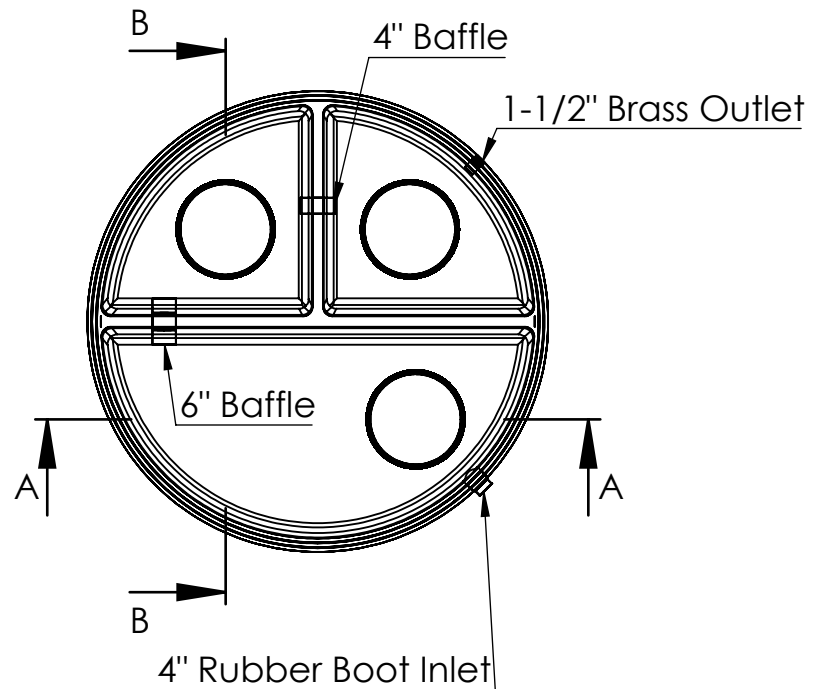
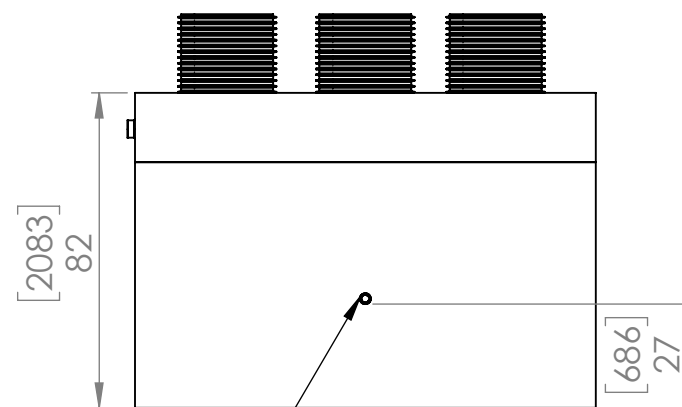


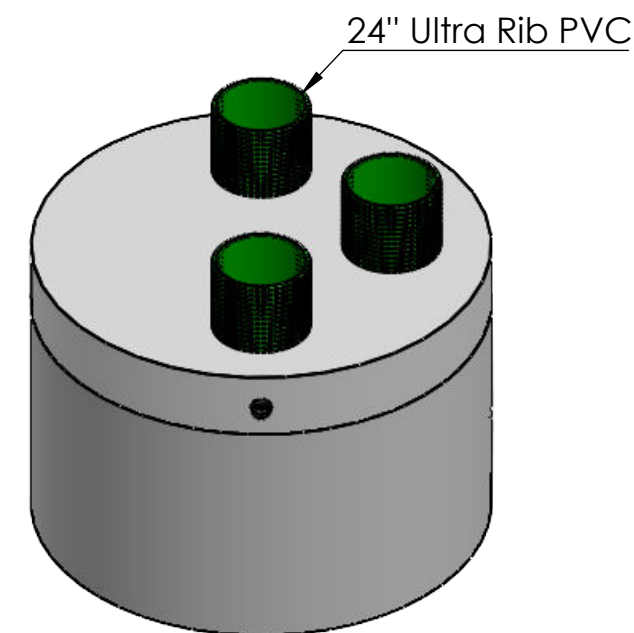
SECTION A-A



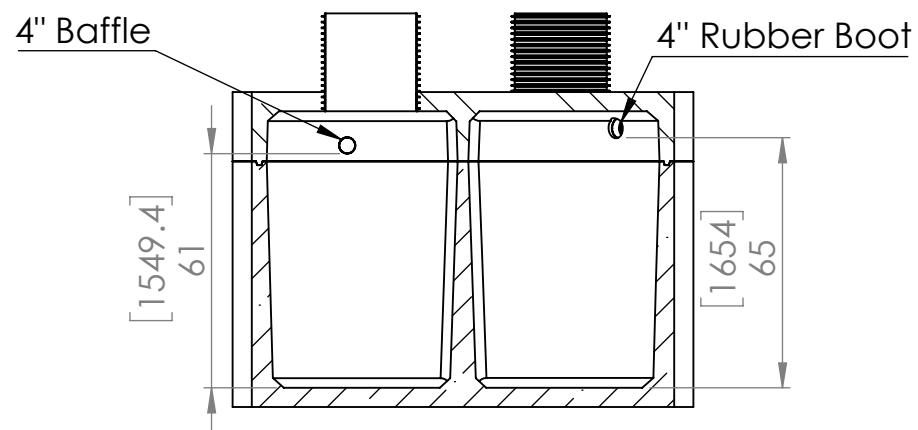
Inlet



1-1/2 Brass Coupling Outlet



24" Ultra Rib PVC



SECTION B-B



Edmonton
16910 129 Ave
PH: 780-447-2222
Fax: 780-447-1984

Calgary
4315 58 Ave SE
PH: 403-230-1666
Fax: 403-276-4176

2400 Gallon 3 Compartments GMH (T-Tank)

Material: Concrete Type HS
Reinforcing: 15mm Rebar & 4x4 (10 Gauge) Wire Mesh
CSA Approved: 1.8 Meters
Item ID: 11075G

Working Capacity: 1340 Imperial Gallons
Pump Chamber: 520 Imperial Gallons
Dose Volume: 8.6 Gal/inch (third chamber)
Weight: 24680 LBS / 11195 KG

THE INFORMATION CONTAINED IN THIS DRAWING IS THE SOLE PROPERTY OF ALBERTA WILBERT SALES LTD. ANY REPRODUCTION IN PART OR AS A WHOLE WITHOUT THE WRITTEN PERMISSION OF ALBERTA WILBERT SALES LTD IS PROHIBITED.

SCALE: 1:50