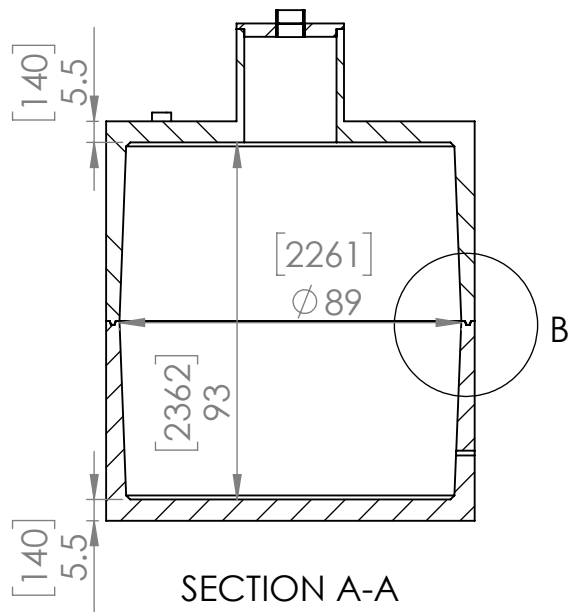
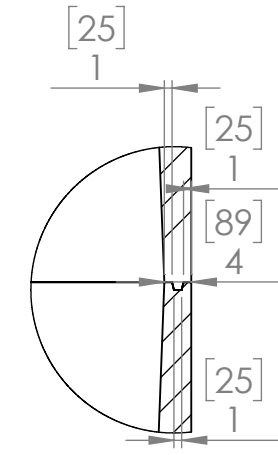
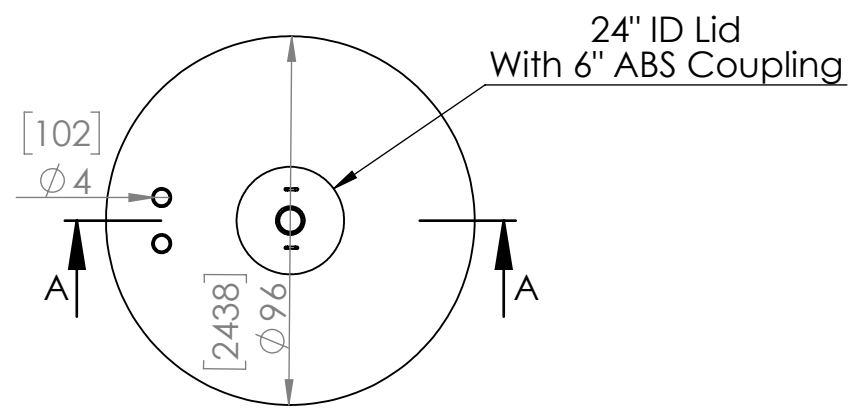
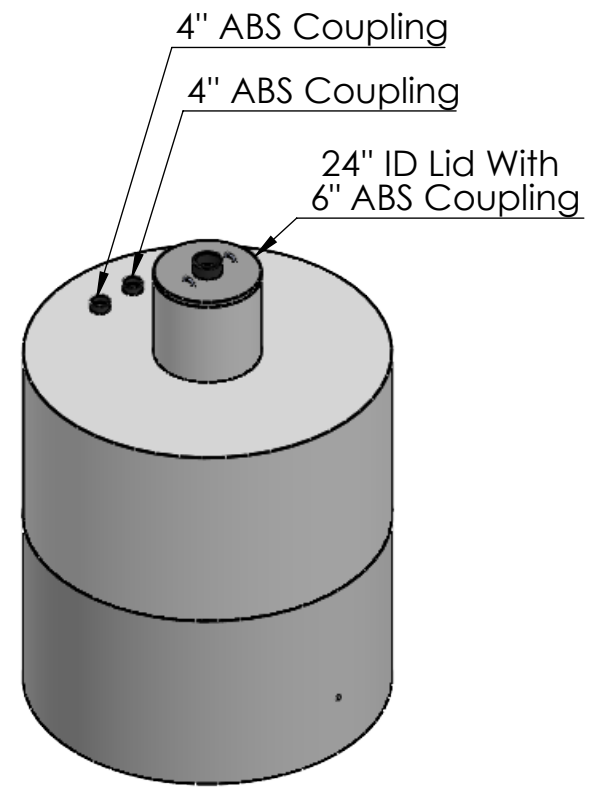
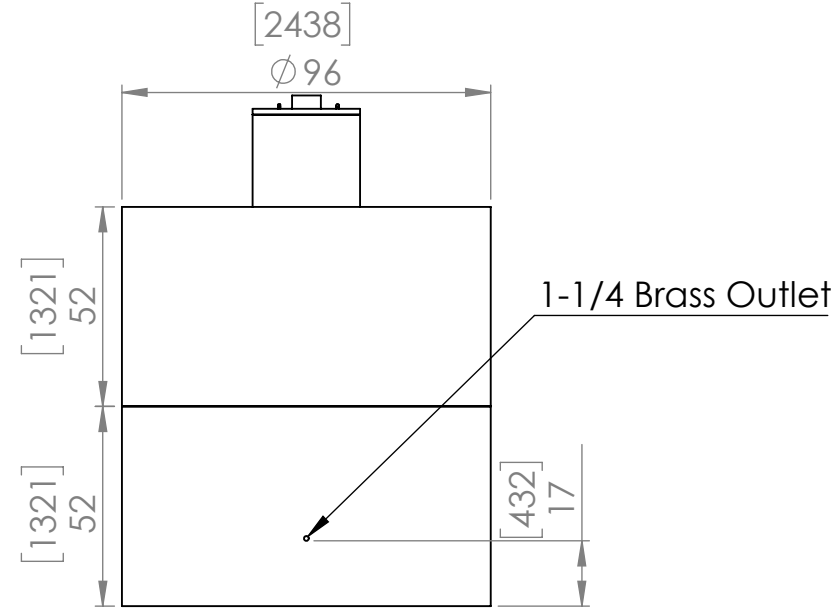
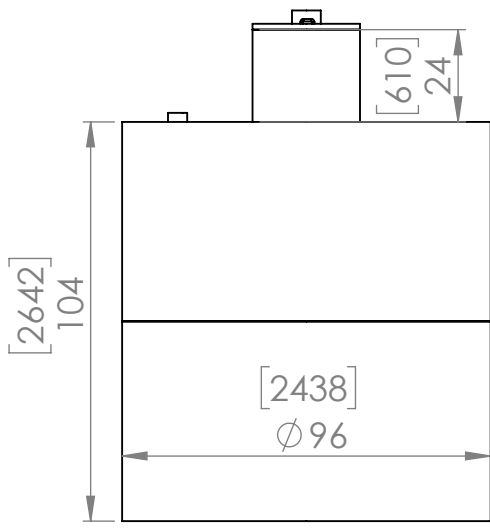


4

3

2

1



Edmonton
 16910 129 Ave
 PH: 780-447-2222
 Fax: 780-447-1984

Calgary
 4315 58 Ave SE
 PH: 403-230-1666
 Fax: 403-276-4176

2000 GALLON 8FT DIAMETER HOLDING TANK

Material: Concrete Type HS
 Reinforcing: 15mm Rebar & 4x4 (10 Gauge) Wire Mesh
 CSA Approved: 3 Meters
 Model: 8-2000
 Item ID: 11020H

Tank Capacity: 2000 Gal
 Volume: 21.5 Gal/Inch
 Weight: 16000 LBS / 7257 KG

THE INFORMATION CONTAINED IN THIS DRAWING IS THE SOLE PROPERTY OF ALBERTA WILBERT SALES LTD. ANY REPRODUCTION IN PART OR AS A WHOLE WITHOUT THE WRITTEN PERMISSION OF ALBERTA WILBERT SALES LTD IS PROHIBITED.

SCALE: 1:50

4

3

2

1

B

B

A

A