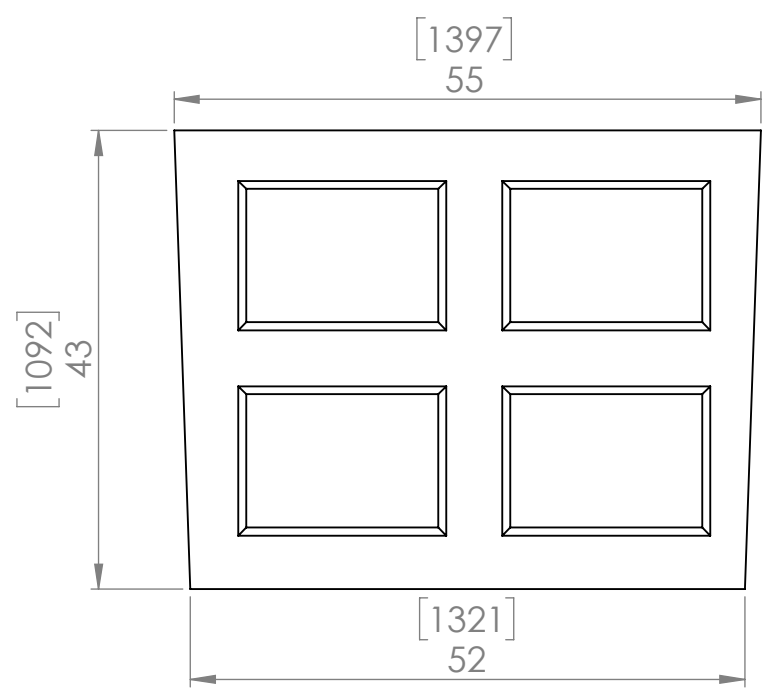
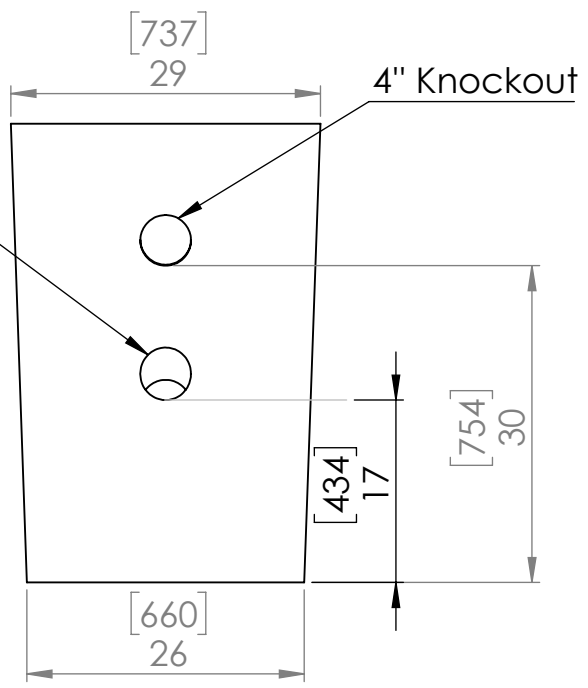


4 3 2 1

B

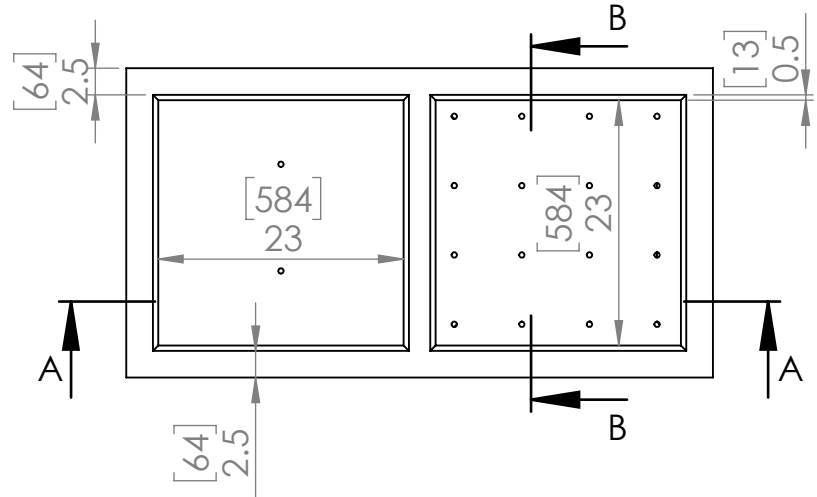


4" 45 Degree Knockout

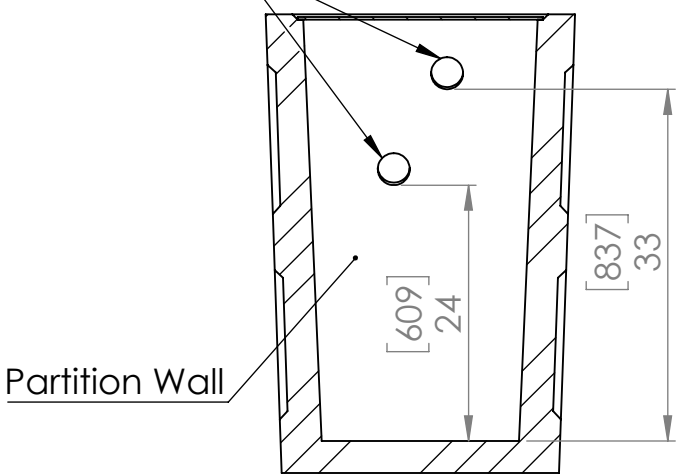


4" Knockout

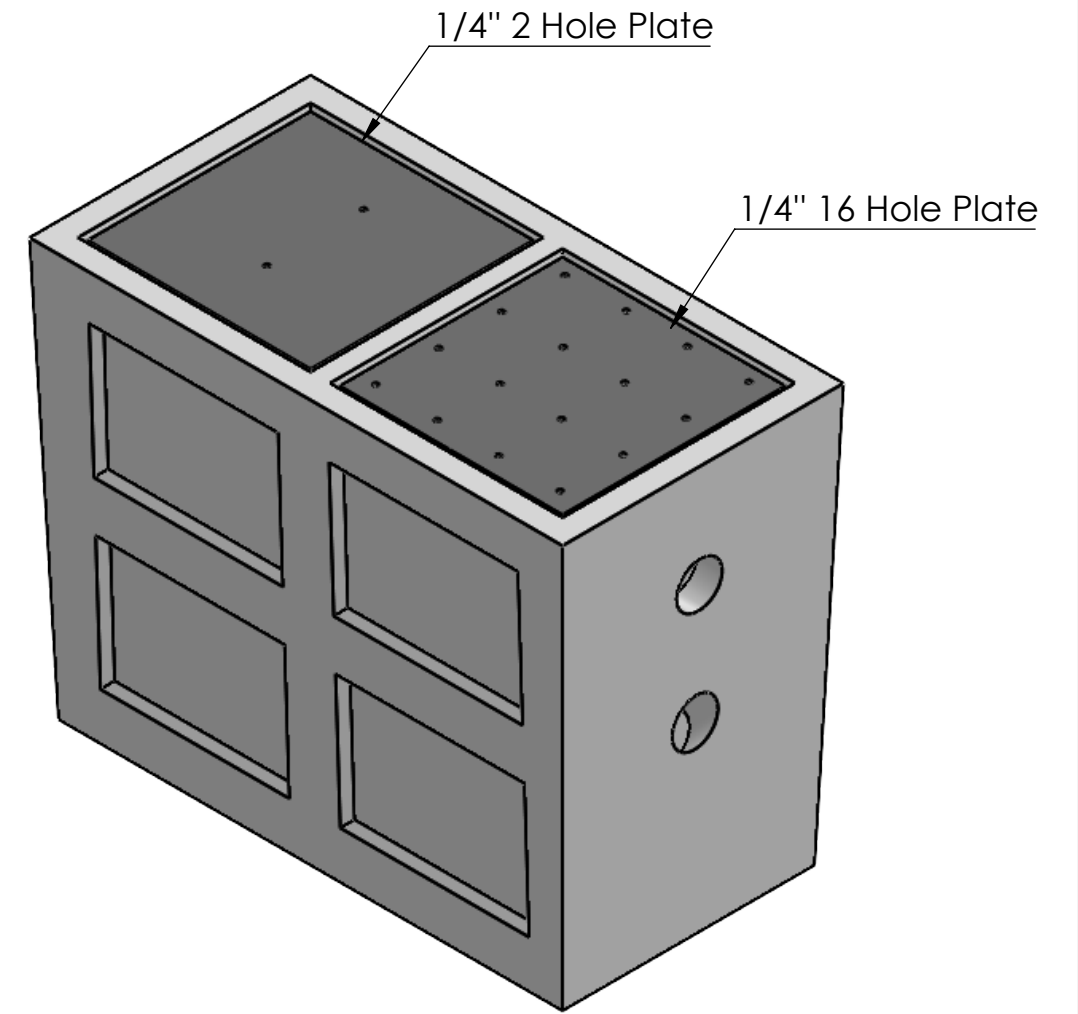
A



3" Knockout

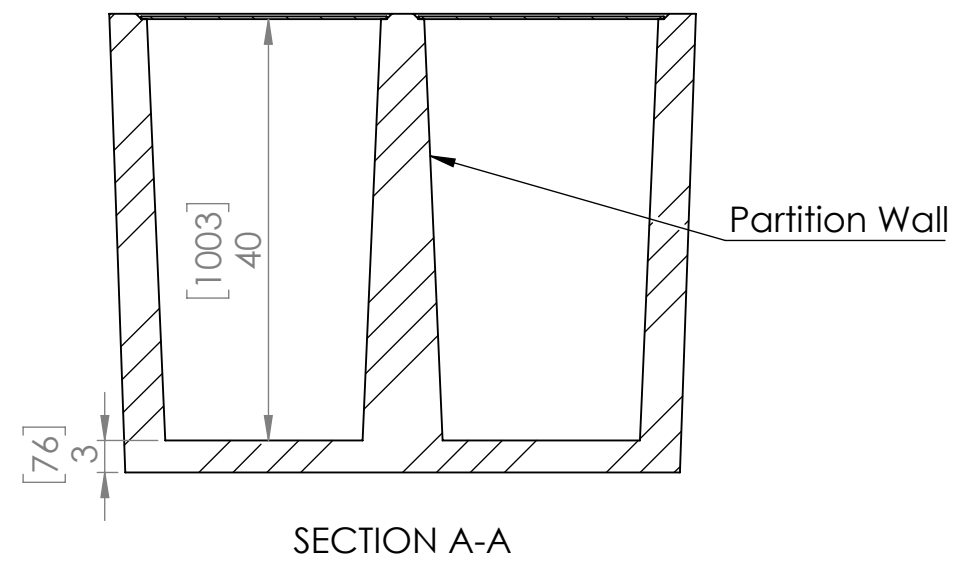


SECTION B-B



B

A



SECTION A-A



Edmonton
16910 129 Ave
PH: 780-447-2222
Fax: 780-447-1984

Calgary
4315 58 Ave SE
PH: 403-230-1666
Fax: 403-276-4176

DOUBLE COMPARTMENT GARAGE SUMP (COMES WITH COVER)

Material: Concrete Type HS
Reinforcing: 15mm Rebar & 4x4 (10 Gauge) Wire Mesh
Item ID: 12010

Capacity: 140 Imperial Gallons
Weight: 2530 LBS
Volume: 70 Imp Gallons per side
Handles up to 5000 LBS
Come with 1/4" Thick Cover (2 or 16 Hole)
Optional Iron Frame

THE INFORMATION CONTAINED IN THIS DRAWING IS THE SOLE PROPERTY OF ALBERTA WILBERT SALES LTD. ANY REPRODUCTION IN PART OR AS A WHOLE WITHOUT THE WRITTEN PERMISSION OF ALBERTA WILBERT SALES LTD IS PROHIBITED.

SCALE: 1:20

4 3 2 1