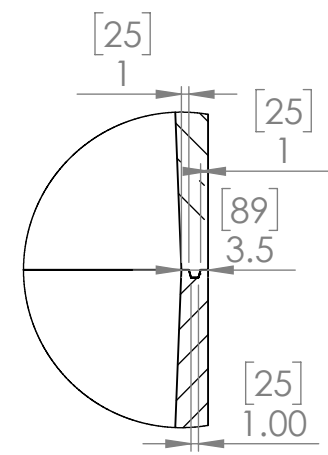
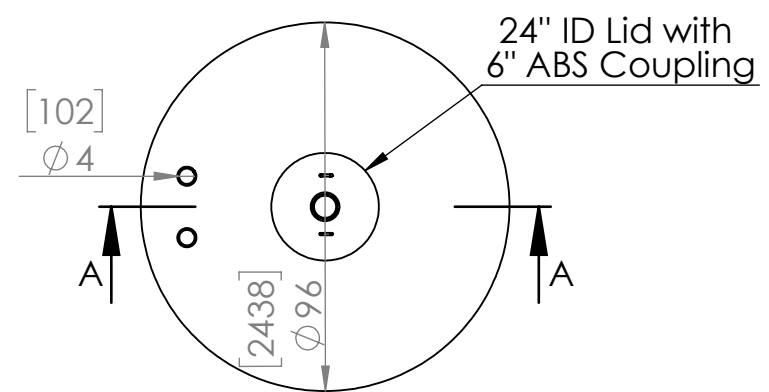
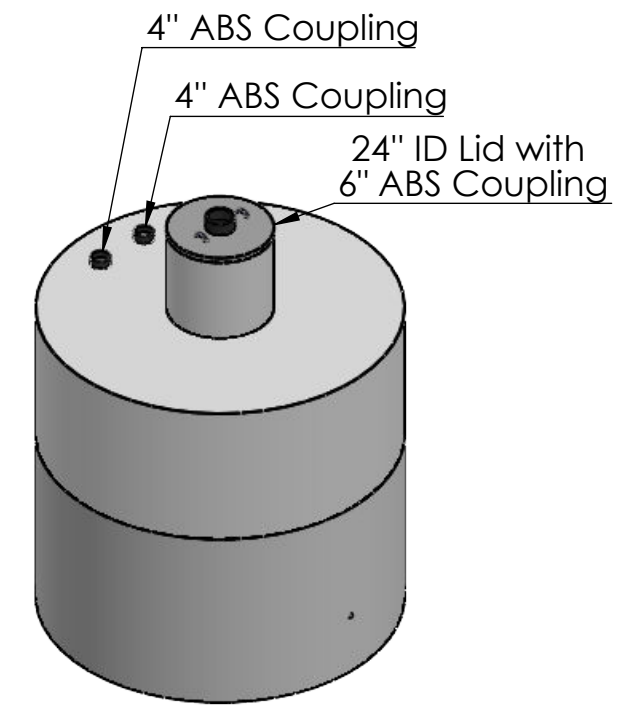
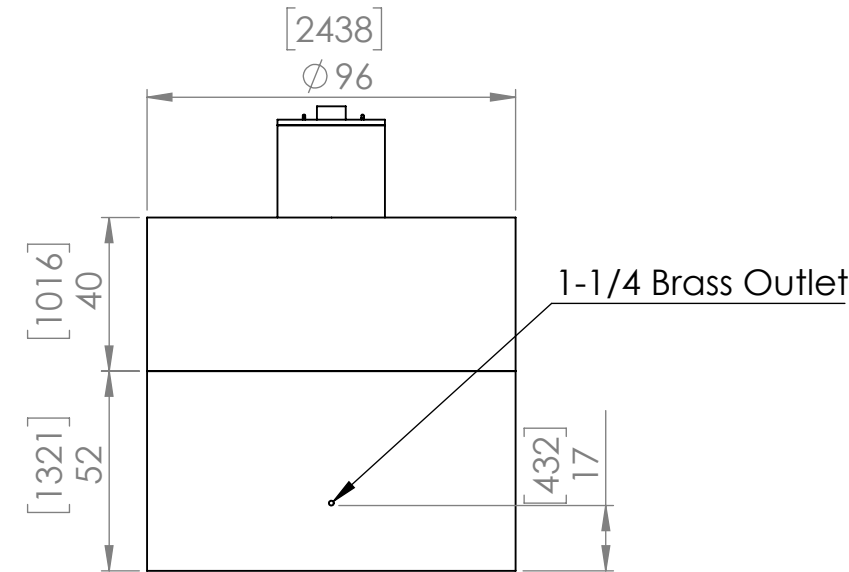
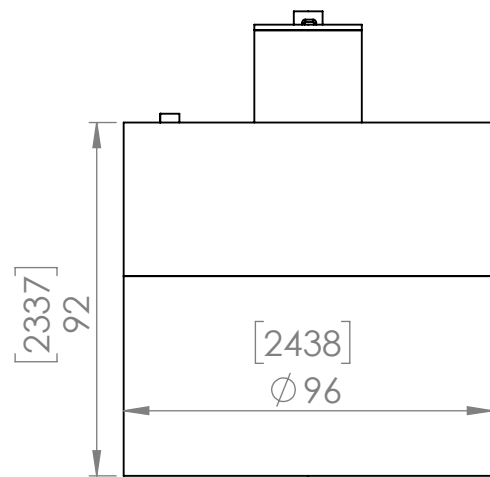


4

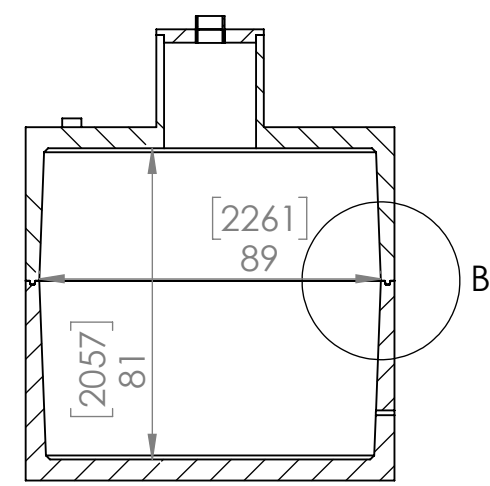
3

2

1



DETAIL B  
SCALE 1 : 25



SECTION A-A



**Edmonton**  
16910 129 Ave  
PH: 780-447-2222  
Fax: 780-447-1984

**Calgary**  
4315 58 Ave SE  
PH: 403-230-1666  
Fax: 403-276-4176

**1800 GALLON 8FT DIAMETER HOLDING TANK**

Material: Concrete Type HS  
Reinforcing: 15mm Rebar & 4x4 (10 Gauge) Wire Mesh  
CSA Approved: 3 Meters  
Model: 8-1800  
Item ID: 11050H

Tank Capacity: 1800 Gal/ 8172 Liter  
Volume: 22.2 Gal/Inch  
Weight: 14800 LBS / 6713 KG

THE INFORMATION CONTAINED IN THIS DRAWING IS THE SOLE PROPERTY OF ALBERTA WILBERT SALES LTD. ANY REPRODUCTION IN PART OR AS A WHOLE WITHOUT THE WRITTEN PERMISSION OF ALBERTA WILBERT SALES LTD IS PROHIBITED.

SCALE: 1:50

4

3

2

1

B

B

A

A