

4

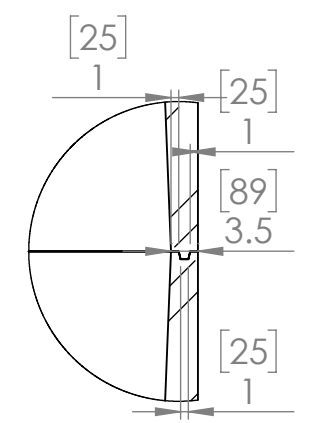
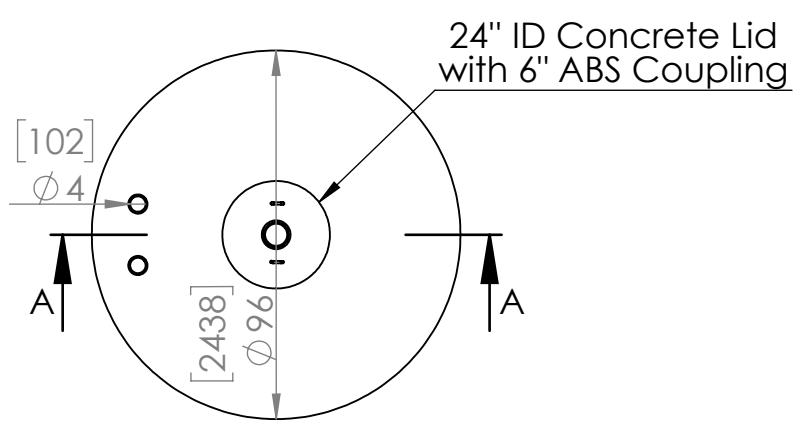
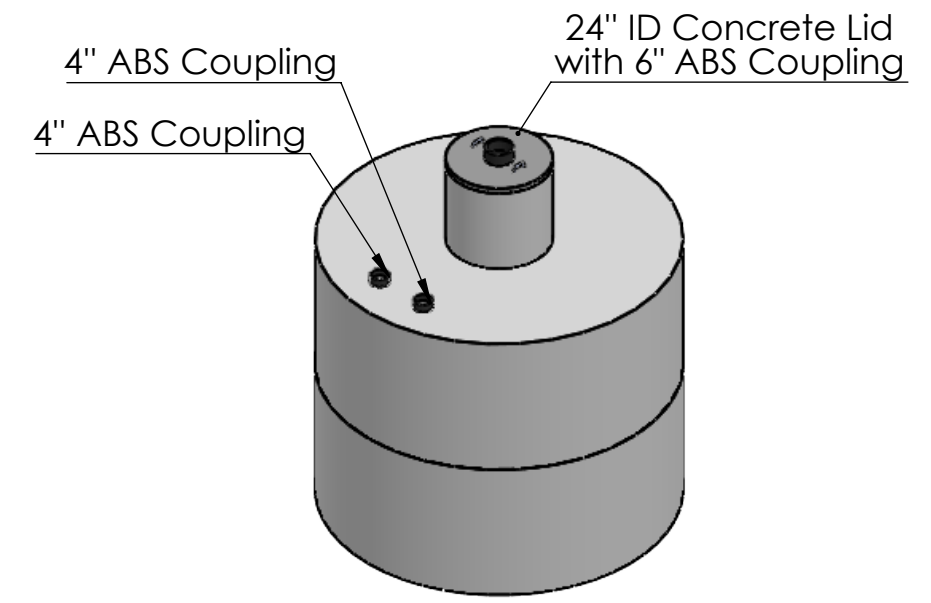
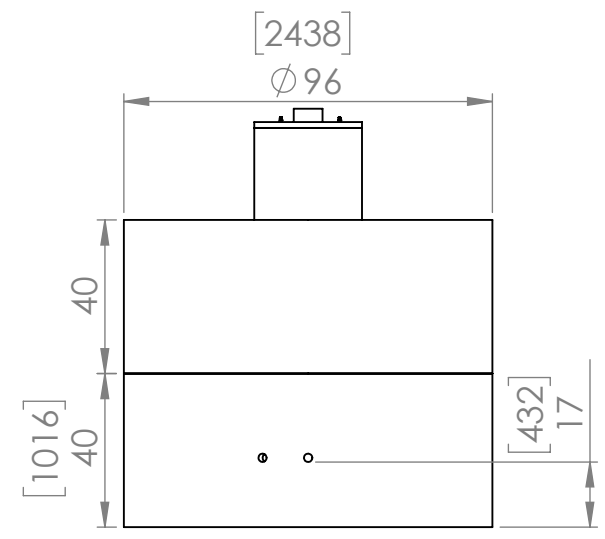
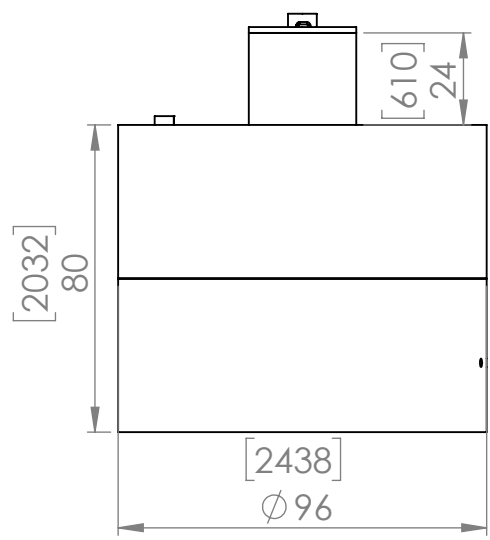
3

2

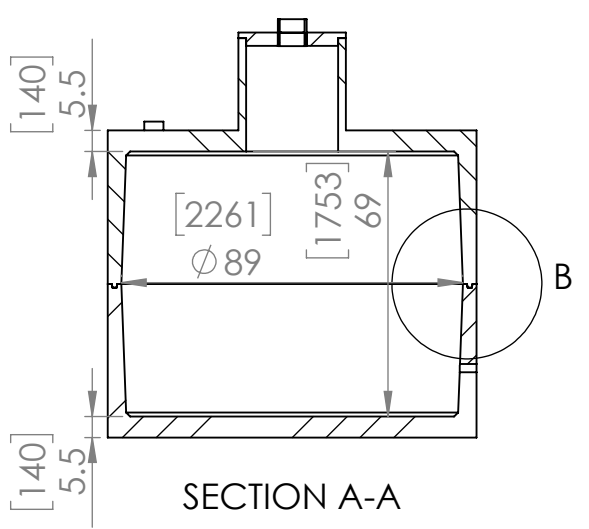
1

B

B



DETAIL B  
SCALE 1 : 25



SECTION A-A



**Edmonton**  
 16910 129 Ave  
 PH: 780-447-2222  
 Fax: 780-447-1984

**Calgary**  
 4315 58 Ave SE  
 PH: 403-230-1666  
 Fax: 403-276-4176

### 1500 GALLON 8FT DIAMETER HOLDING TANK

Material: Concrete Type HS  
 Reinforcing: 15mm Rebar & 4x4 (10 Gauge) Wire Mesh  
 CSA Approved: 3 Meters  
 Model: 8-1500  
 Item ID: 11048H

Tank Capacity: 1500 Gal/ 6810 Liter  
 Volume: 21.7 Gal/Inch  
 Weight: 13600 LBS / 6169 KG

THE INFORMATION CONTAINED IN THIS DRAWING IS THE SOLE PROPERTY OF ALBERTA WILBERT SALES LTD. ANY REPRODUCTION IN PART OR AS A WHOLE WITHOUT THE WRITTEN PERMISSION OF ALBERTA WILBERT SALES LTD IS PROHIBITED.

SCALE: 1:50

4

3

2

1

A

A