

4

3

2

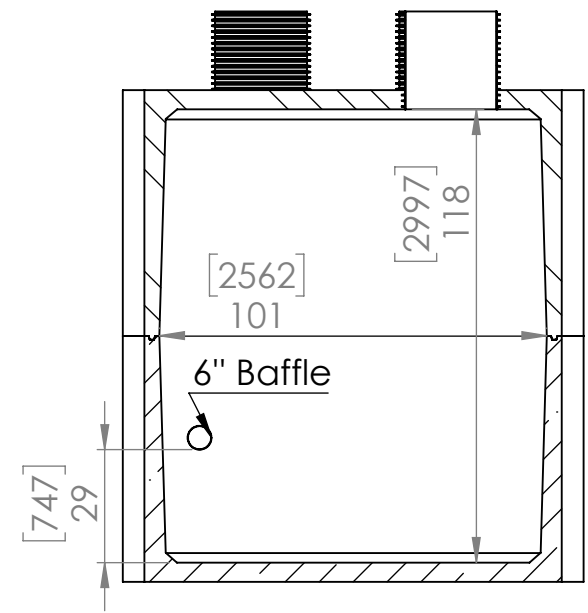
1

B

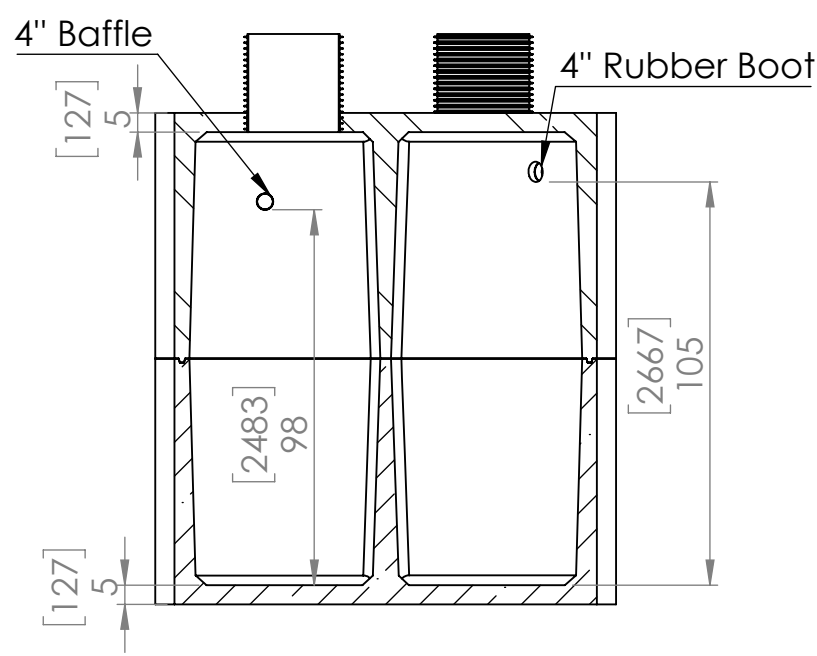
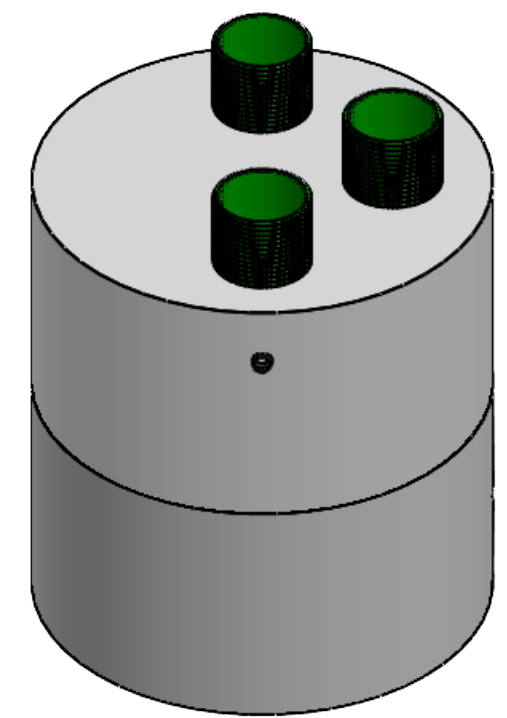
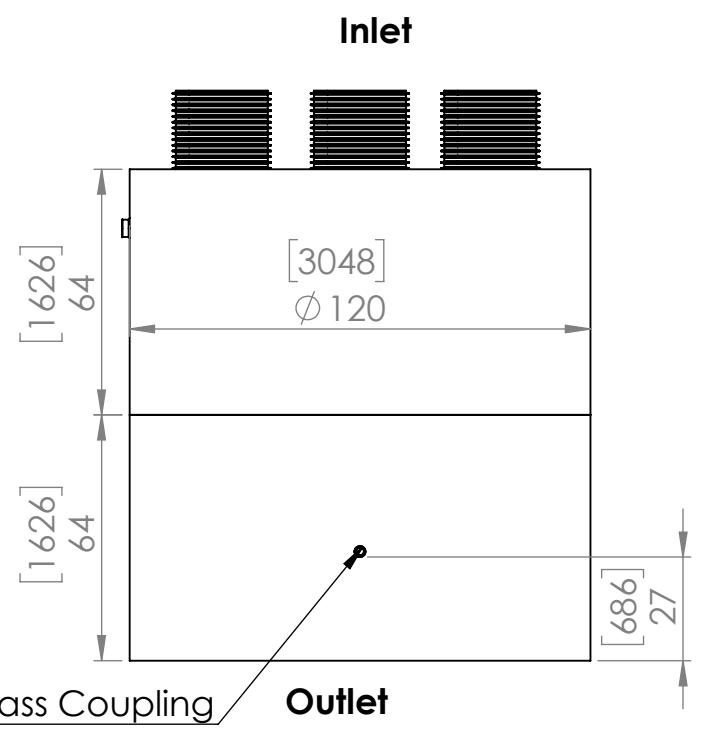
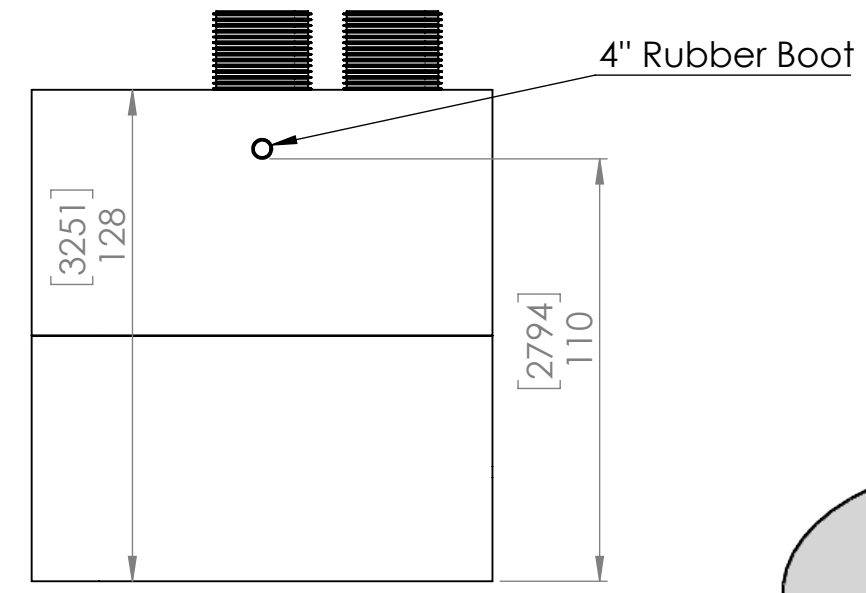
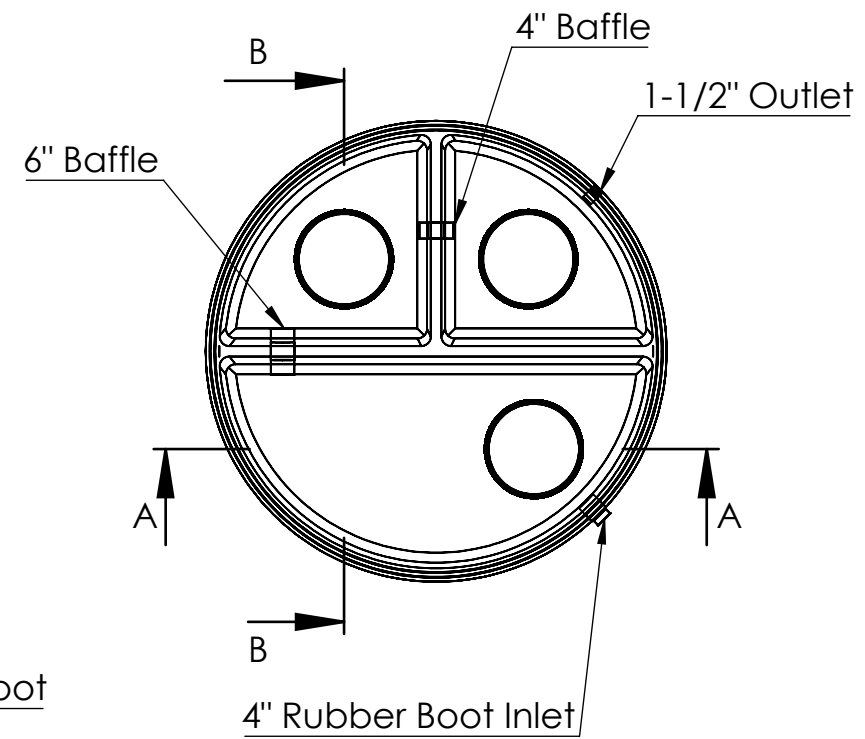
B

A

A



SECTION A-A



SECTION B-B



Edmonton
16910 129 Ave
PH: 780-447-2222
Fax: 780-447-1984

Calgary
4315 58 Ave SE
PH: 403-230-1666
Fax: 403-276-4176

4100 Gallon 3 Compartments GMH (T-Tank)

Material: Concrete Type HS
Reinforcing: 15mm Rebar & 4x4 (10 Gauge) Wire Mesh
CSA Approved: 1.8 Meters
Item ID: 11065G

Working Capacity: 2702 Imperial Gallons
Pump Chamber: 875 Imperial Gallons
Dose Volume: 7.5 Gal/inch (third chamber)
Weight: 34800 LBS

THE INFORMATION CONTAINED IN THIS DRAWING IS THE SOLE PROPERTY OF ALBERTA WILBERT SALES LTD. ANY REPRODUCTION IN PART OR AS A WHOLE WITHOUT THE WRITTEN PERMISSION OF ALBERTA WILBERT SALES LTD IS PROHIBITED.

SCALE: 1:50

4

3

2

1