

4

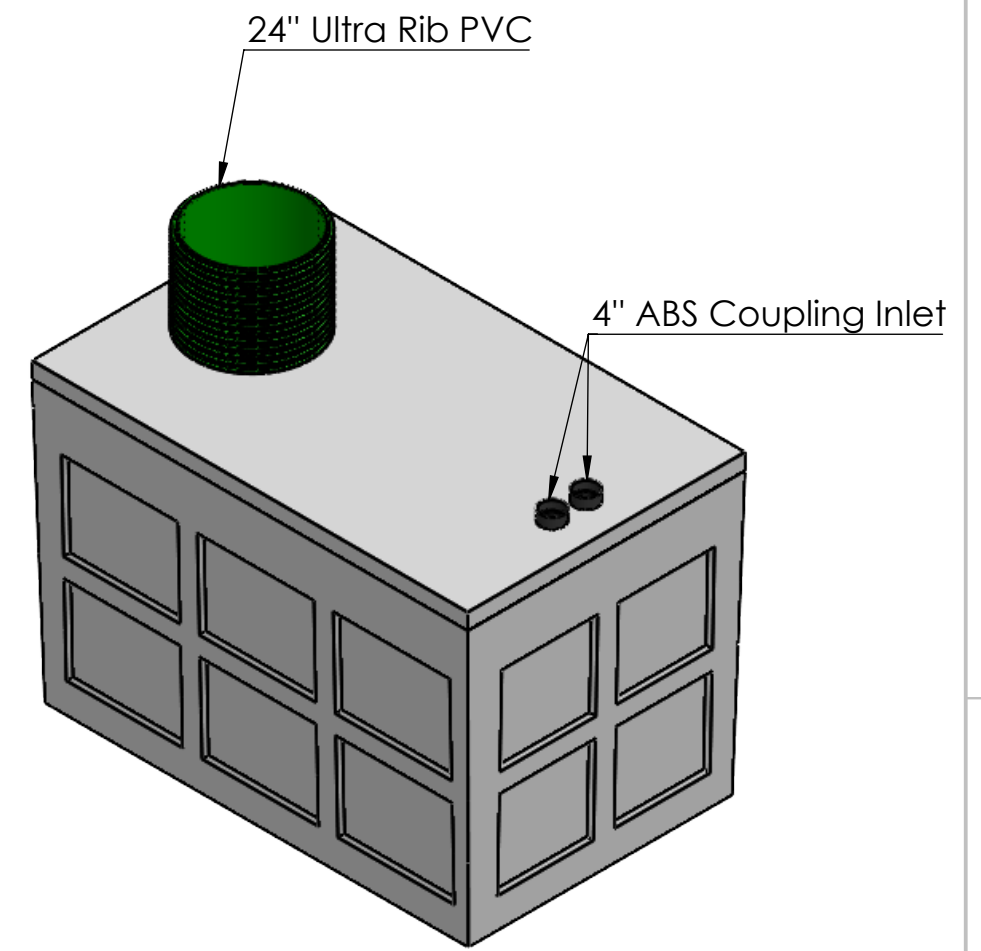
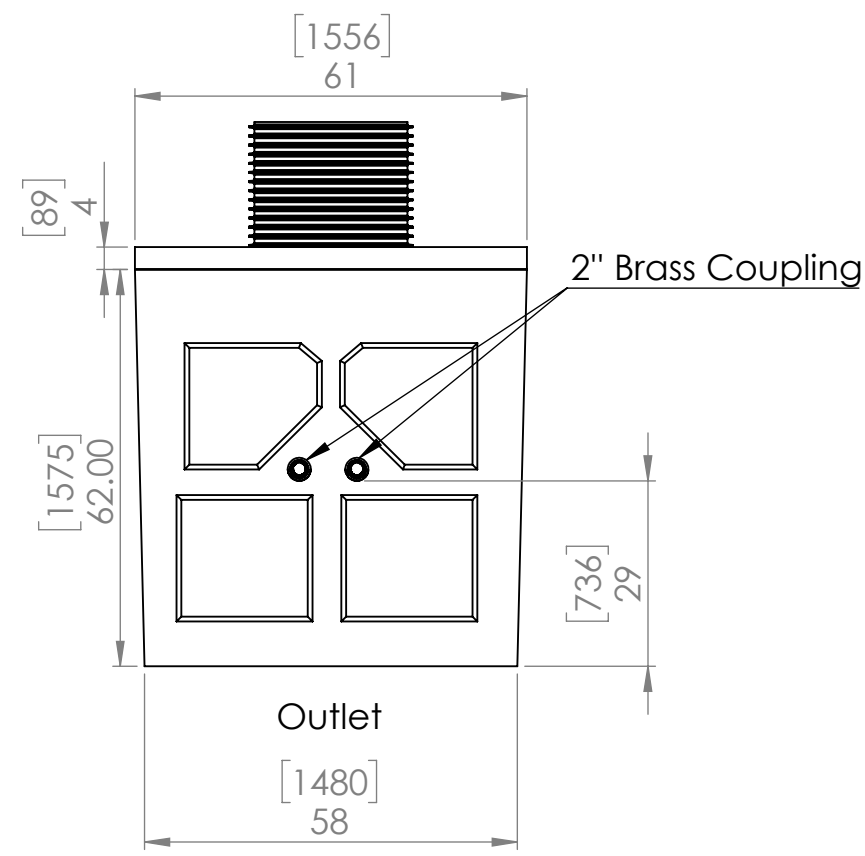
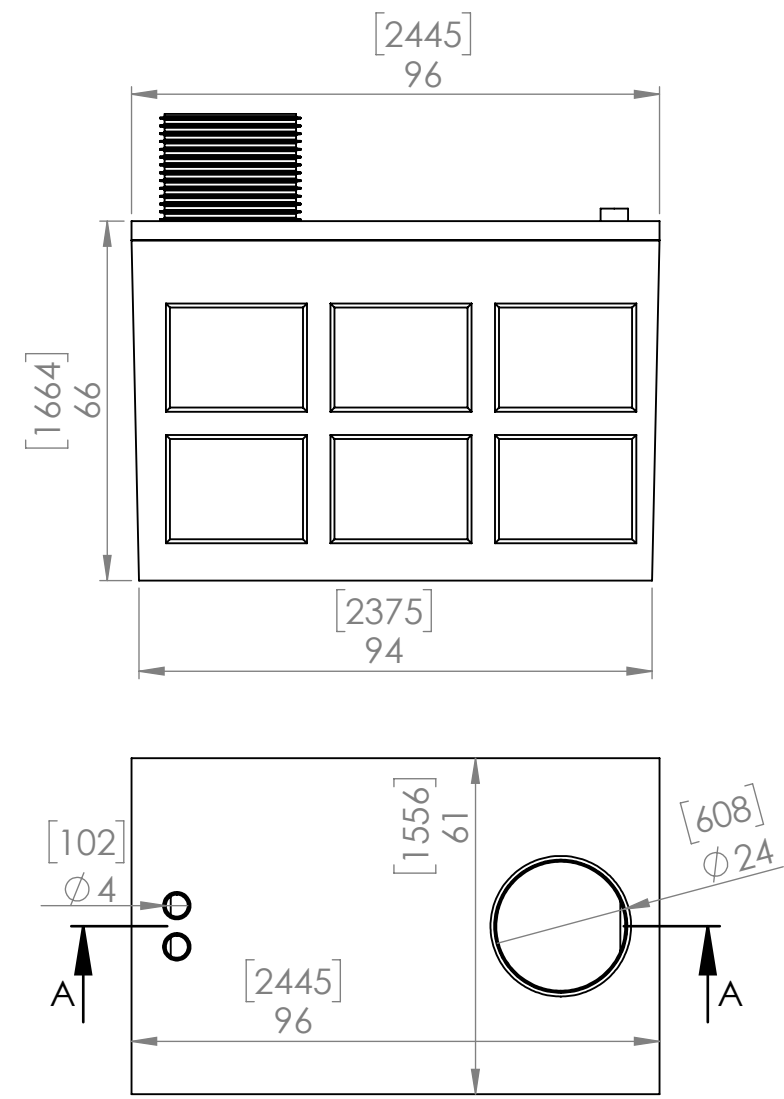
3

2

1

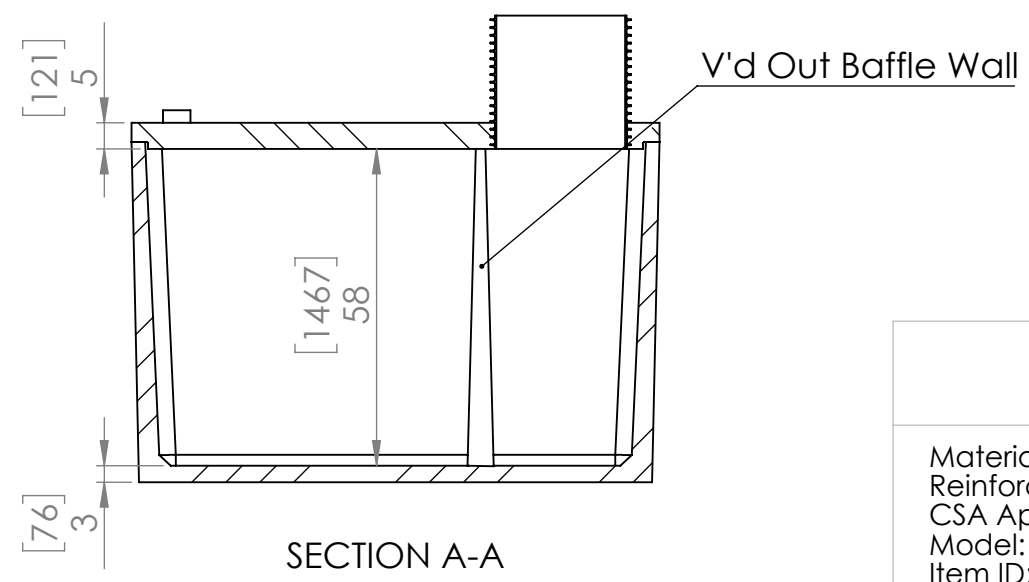
B

B



A

A



Note: Appropriate Slings are used for off-loading the tank



Edmonton
16910 129 Ave
PH: 780-447-2222
Fax: 780-447-1984

Calgary
4315 58 Ave SE
PH: 403-230-1666
Fax: 403-276-4176

1000 GALLON GMH CISTERN/HOLDING TANK

Material: Concrete Type HS
Reinforcing: 15mm Rebar & 4x4 (10 Gauge) Wire Mesh
CSA Approved: 3 Meters
Model: 1P1000-Waffle
Item ID: 11015CG

Tank Capacity: 1000 Imperial Gallons
Volume: 17.5 Gal/Inch
Weight: 8750 LBS / 3969 KG

THE INFORMATION CONTAINED IN THIS DRAWING IS THE SOLE PROPERTY OF ALBERTA WILBERT SALES LTD. ANY REPRODUCTION IN PART OR AS A WHOLE WITHOUT THE WRITTEN PERMISSION OF ALBERTA WILBERT SALES LTD IS PROHIBITED.

SCALE: 1:30

4

3

2

1